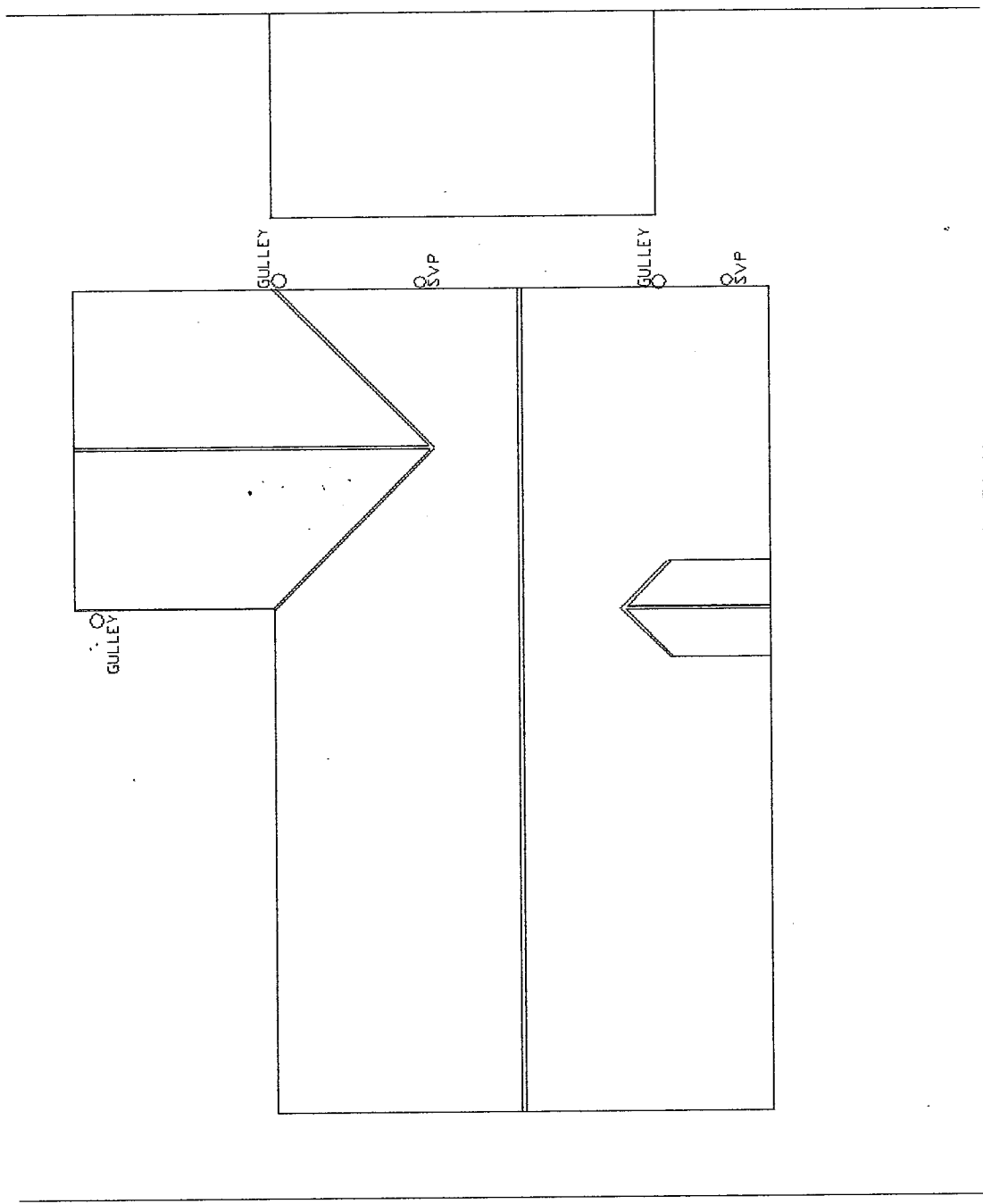
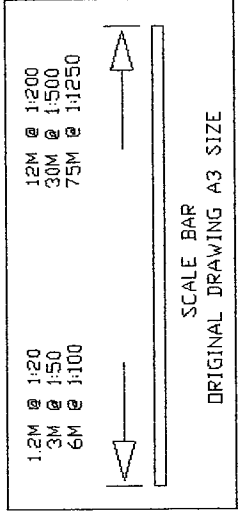


EXISTING SITE PLAN 1:500



EXISTING ROOF PLAN

21 West Meadows Road, Cleadon,
 South Tyneside, SR6 7TU.
 First Floor Raised Roof Level and
 Single Storey Rear Extension
 Drawing No. W47f
 Scale 1:100
 Date 10/09/2019
 Mr AM Watt
 20 Alpine Way Sunderland SR3 1TN
 Tel No. 0191 5226401
 078116 050 33